

VASAL

1 X1x



2 X1x



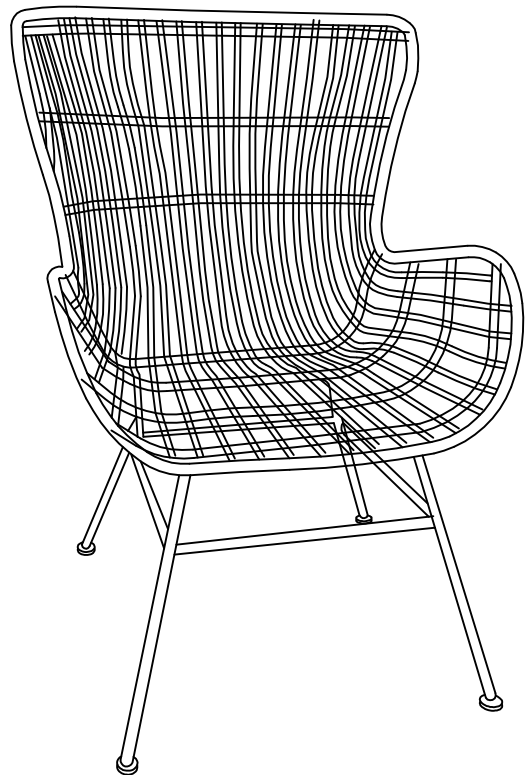
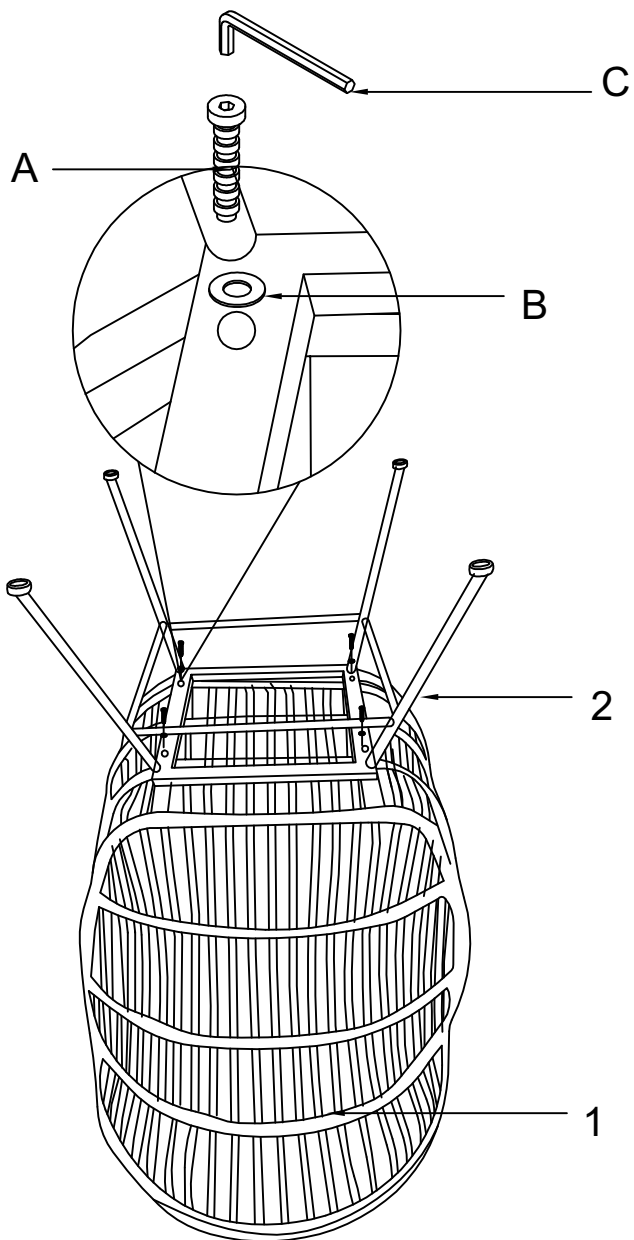
A X4x



B X4x



C X1x



1 X1x



2 X1x



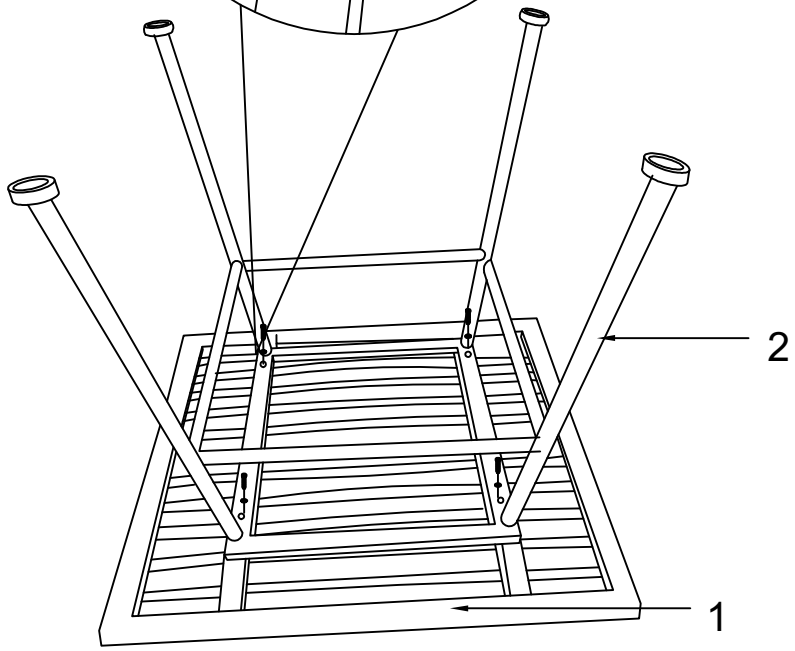
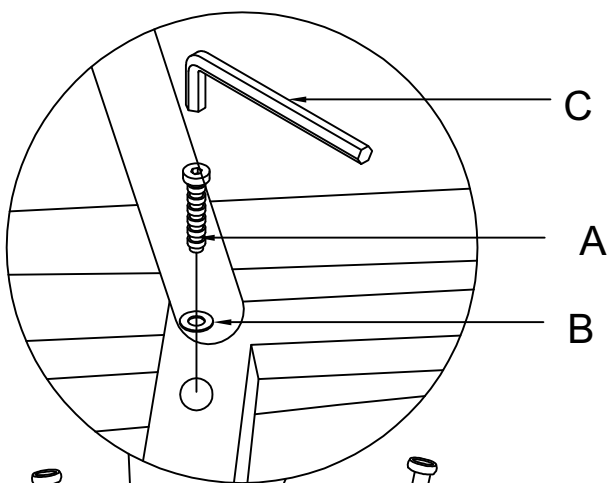
A X4x



B X4x



C X1x



1 X1x



2 X1x



3 X1x



A X4x



B X4x



C X1x



D X4x

